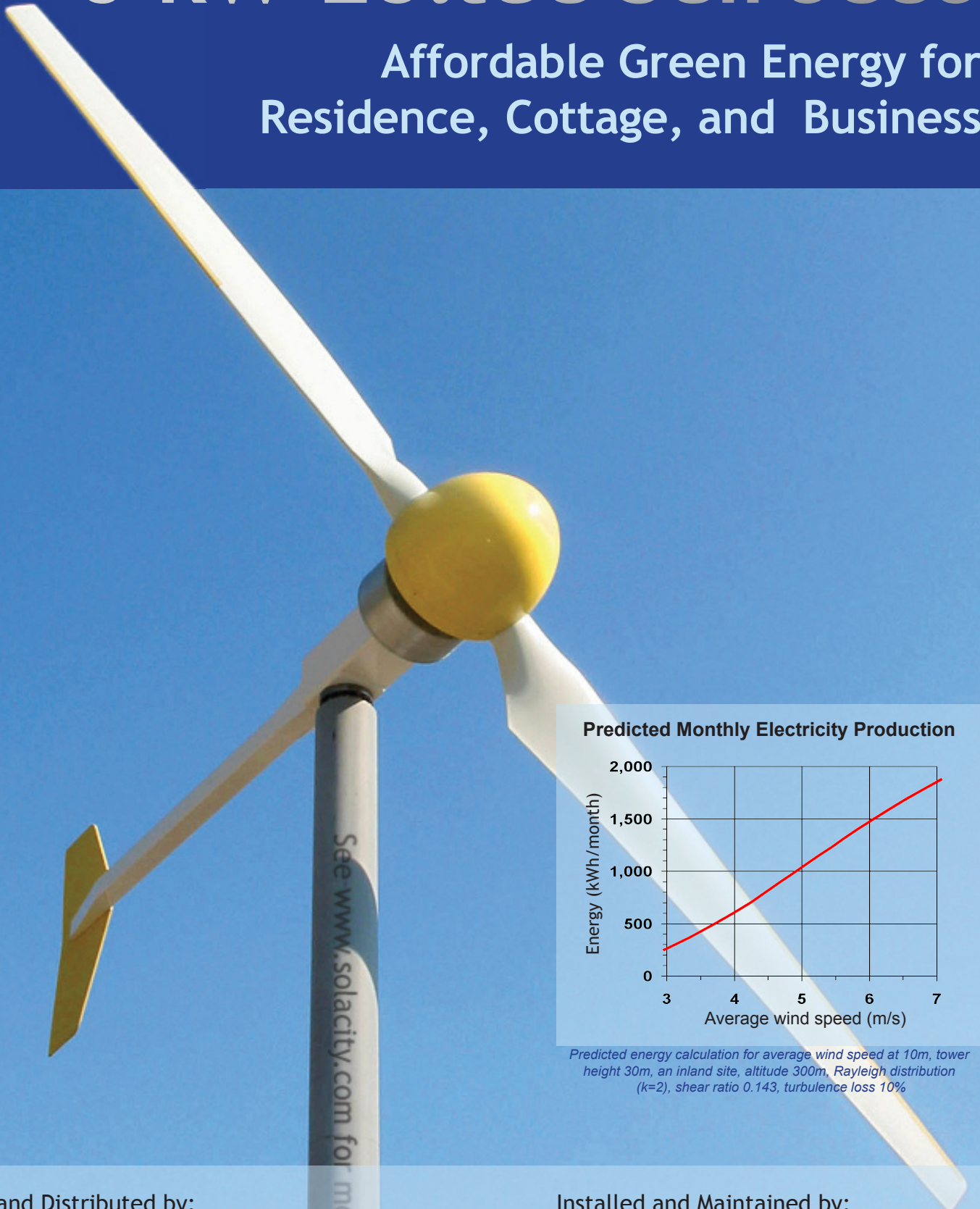
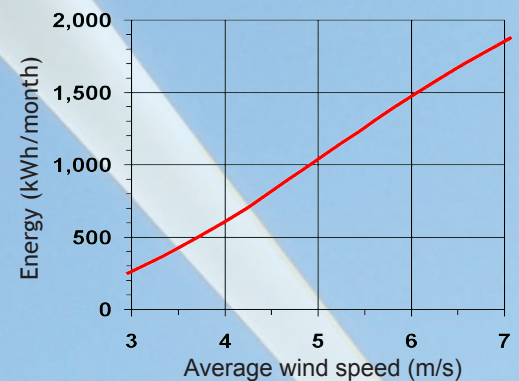


6 kW Eoltec Scirocco

Affordable Green Energy for
Residence, Cottage, and Business



Predicted Monthly Electricity Production



Predicted energy calculation for average wind speed at 10m, tower height 30m, an inland site, altitude 300m, Rayleigh distribution ($k=2$), shear ratio 0.143, turbulence loss 10%

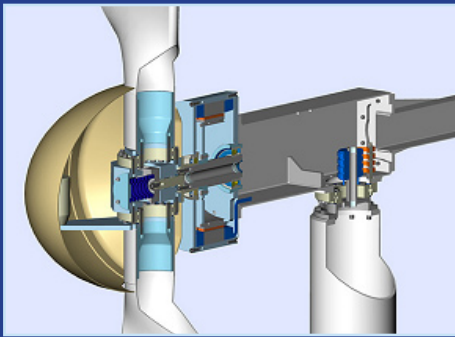
Imported and Distributed by:

Solacity Inc.

www.solacity.com

(613) 686-4618

Installed and Maintained by:



Residence Net-Metering Grid-Tie Green Business Battery Charging Cottage

Optimized for Low Winds

MPPT Efficiency

Mechanical Pitch Control

Low 245 Maximum RPM

Quiet

European Reliability

5-Year Warranty

Versatile

Eoltec started with a blank slate and set the goal of designing an uncompromising, best-in-class wind turbine that is optimized for the low to medium wind speeds found in most places most of the time. The result is the 6 kW Scirocco. Coupled with the 97% peak efficiency Maximum Power Point Tracking (MPPT) Aurora inverter, a Scirocco wind turbine gets the most energy out of any wind, with an excellent cost/performance ratio. In fact, it will produce nearly as much energy as its nearest 10 kW competitor, at a far better price point.

What makes the Scirocco wind turbine unique is its innovative blade pitch control. The blade pitch is mechanically governed such that rotor RPM stays below 245 at all times. This very low maximum RPM results in low blade tip speeds, less mechanical stress, and less wear. It also makes the Scirocco much quieter than other wind turbines in its class. There is no need for furling, no associated furling power loss, and its full 6 kW output is available for wind speeds from 11.5 m/s (40 km/h) and up.

The Scirocco is designed with maximum reliability and low maintenance in mind. An annual inspection and lubrication is all that is recommended. Eoltec feels very comfortable to give it a full 5-year warranty.

The average Canadian household uses around 1,000 kWh/month. With many places having an average wind speed between 3½ and 5 m/s, a Scirocco wind turbine can produce 40% - 100% of a household's electrical needs. This makes the Scirocco the perfect renewable solution for grid-tie net-metering or off-grid battery charging, residential or cottage installations, remote water pumping, or to green up your business with a customer-attracting wind turbine at your storefront.

Rated output power	6 kW at 11.5 m/s (40 km/h), measured after inverter
Cut-in / survival wind speed	2.7 m/s (9.7 km/h) / 60 m/s (215 km/h)
Rotor diameter / swept area	5.6 m / 24.6 m ² (18.4 ft / 265 ft ²)
Blades	2 fiberglass-epoxy blades, aluminum root inserts
Power and overspeed regulation	Centrifugal pitch regulator, stalls blades to limit rotational speed
Brake	Dynamic brake, optional tower base forced blade stall brake
Rotational speed / tip speed	80 - 245 RPM / 23 - 70 m/s
Alternator	6.5 kW direct-drive permanent magnet, 240 Volt, 3-phase wild AC
Tower top weight / horizontal thrust	202 kg (450 lbs) / 5500 Newton (1200 lbs) at 60 m/s
Maintenance	Annual inspection and lubrication
Warranty	5 years